

PARTS LIST

[KD-S811R]

* All printed circuit boards and its assemblies are not available as service parts.

Area suffix

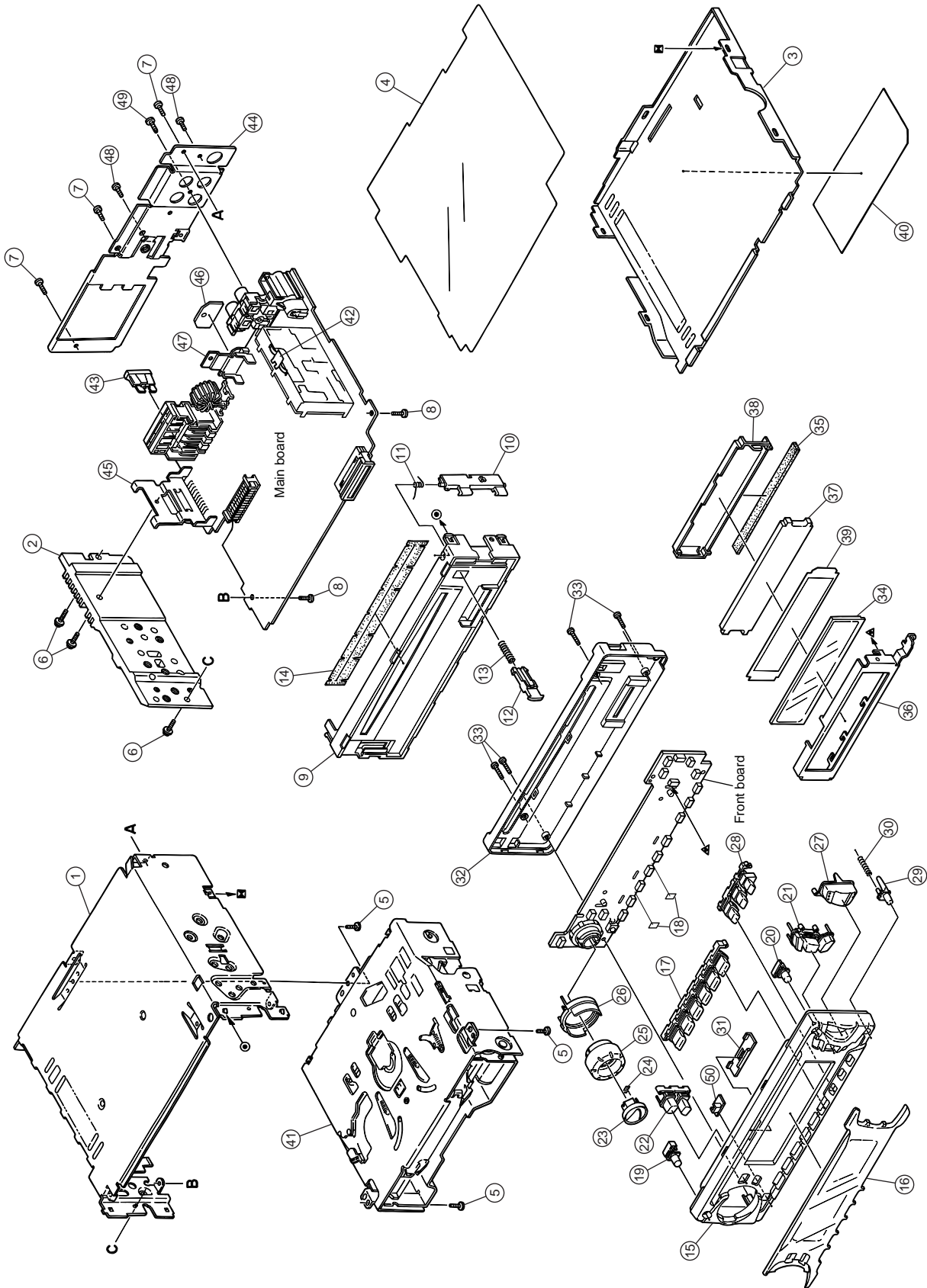
E ----- Continental Europe

- Contents -

Exploded view of general assembly and parts list	3- 2
CD mechanism assembly and parts list	3- 4
Electrical parts list	3- 7
Packing materials and accessories parts list	3-12

Exploded view of general assembly and parts list

Block No. M 1 M M



■ Parts list (General assembly)

Block No. M1MM

△	Item	Parts number	Parts name	Q'ty	Description	Area
	1	FSJC1029-404	TOP CHASSIS	1		
	2	FSMH3001-204	SIDE PANEL	1		
	3	FSKM3011-002	BOTTOM COVER	1		
	4	FSMA3004-003	INSULATOR	1		
	5	QYSDST2604Z	SCREW	3	CHASSIS+MECHA BKT	
	6	FSKZ4005-001	SCREW	3	CHASSIS+SIDE PANEL	
	7	QYSDST2604Z	SCREW	3	CHASSIS+REAR BKT	
	8	QYSDST2606Z	SCREW	2	CHASSIS+MAIN PWB	
	9	FSJC2013-003	FRONT CHASSIS	1		
	10	FSKS3010-001	LOCK LEVER	1		
	11	FSKW4005-003	TORSION SPRING	1	FOR LOCK LEVEL	
	12	FSXP3026-002	RLS KNOB	1		
	13	FSKW3002-015	COMP.SPRING	1		
	14	FSPK3009-001	BLIND	1		
	15	GE10003-001A	FRONT PANEL	1		
	16	GE30111-005A	FINDER ASSY	1		
	17	GE20104-001B	PRESET BUTTON	1		
	18	FSYH4036-069	SHEET	2		
	19	GE30105-002B	POWER BUTTON	1		
	20	GE30109-002A	EJECT BUTTON	1		
	21	GE20110-004C	D.FUNC BUTTON	1	FM/CD/AM	
	22	GE30112-001A	PUSH BUTTON(2)	1		
	23	GE30102-002A	SEL BUTTON	1		
	24	FSYH4036-032	SHEET	1	FOR SEL BUTTON	
	25	GE30103-001B	KNOB	1		
	26	GE30104-001A	RIM LENS	1		
	27	GE20109-001C	UP DOWN BUTTON	1		
	28	GE30106-003A	SND FUNC BUTTON	1		
	29	FSXP3055-001	DETACH BUTTON	1		
	30	FSKW3002-012	COMP. SPRING	1	FOR DETACH BUTTON	
	31	GE30117-001A	LIGHT LENS	1		
	32	GE10004-001A	REAR COVER	1		
	33	VKZ4777-001	MINI SCREW	4	FRONT+REAR	
	34	QLD0157-001	LCD	1		
	35	QNZ0442-001	RUBBER CONNECTOR	1		
	36	GE30107-001A	LCD CASE	1		
	37	FSJK3035-001	LCD LENS	1		
	38	FSKS3022-002	LENS CASE	1		
	39	FSYH4078-001	LIGHTING SHEET	1		
	40	GE30145-002A	NAME PLATE	1		
	41	-----	CD MECHA	1		
	42	VMA4652-001SS	EARTH PLATE	1		
△	43	QMFZ047-150-T	FUSE	1		
	44	FSKM3012-015	REAR BRACKET	1		
	45	FSKL4024-001	POWER IC BRACKET	1		
	46	GE40104-002B	HEAT SINK	1		
	47	GE40103-001A	REGULATOR BKT	1		
	48	QYSDST2606Z	SCREW	2		
	49	QYSDSF3006Z	SCREW	1	LINE OUT	
	50	GE40102-001A	REMOTE LENS	1		

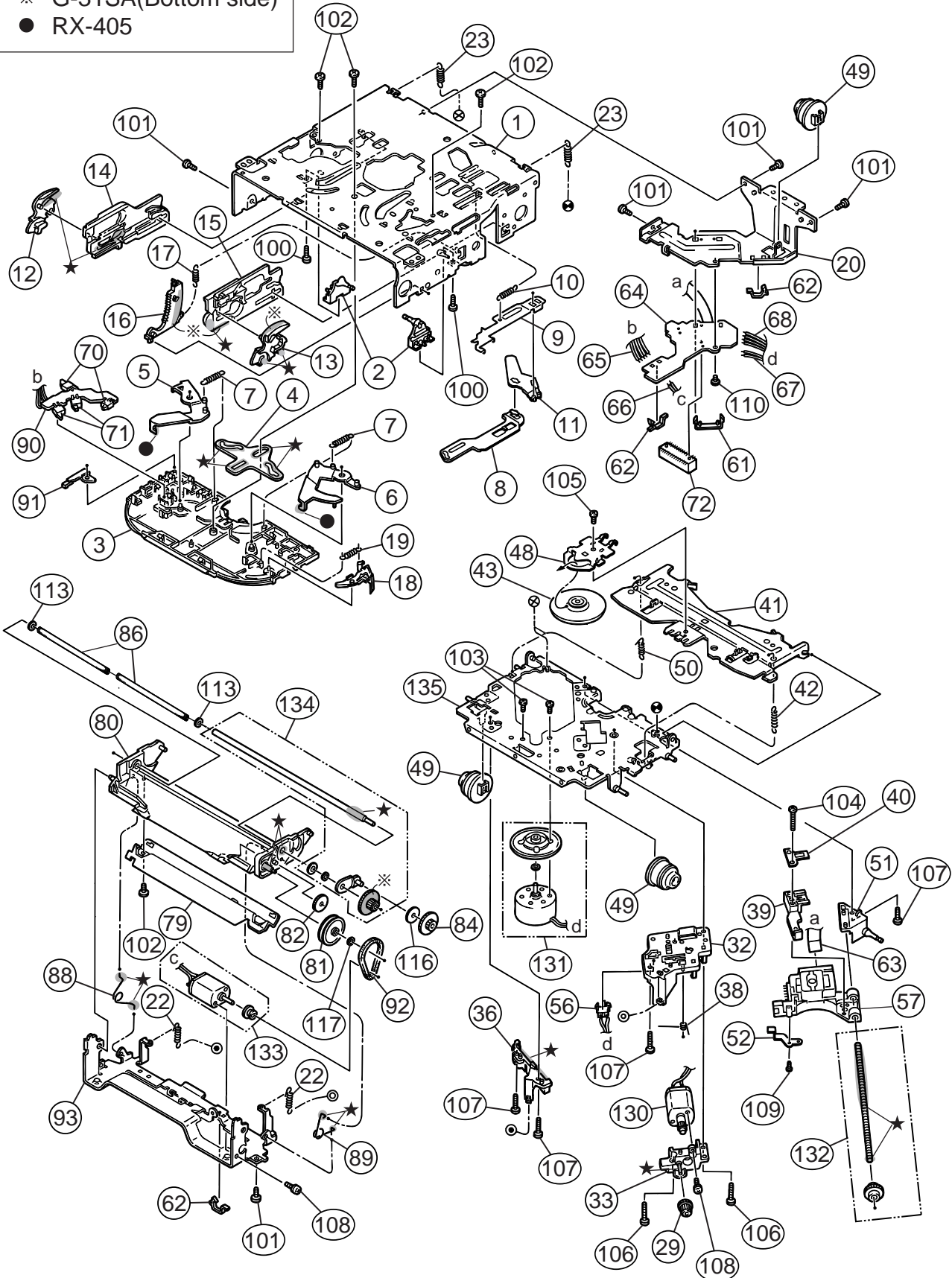
CD mechanism assembly and parts list

Block No. M 2 M M

Grease

- ★ G-31SA
- ※ G-31SA(Bottom side)
- RX-405

TN-CCD1001Z-136J



■ Parts list (CD mechanism)

Block No. M2MM

△	Item	Parts number	Parts name	Q'ty	Description	Area
	1	30310101T	FRAME	1		
	2	30310103T	DANPER PIN	2		
	3	30310107T	UPPER PLATE	1		
	4	30310108T	SEL STOP PLATE	1		
	5	30310142T	SEL ARM (L)L	1		
	6	30310143T	SEL ARM (R)L	1		
	7	30310145T	S ARM SPRING(L)	2		
	8	30310112T	TRIG LEVER	1		
	9	30310155T	TRIG PL(Z)	1		
	10	30310115T	TRIG PL SPRING	1		
	11	30310116T	TRIG ARM	1		
	12	30310134T	FIX ARM (L)B	1		
	13	30310159T	FIX ARM (R)Z	1		
	14	30310150T	FIX PL (L)Z	1		
	15	30310156T	FIX PL (R) Z	1		
	16	30310138T	LDG GR (6)B	1		
	17	30310122T	LDG GEAR (6)SP	1		
	18	30310148T	S.L ARM(N)	1		
	19	30310125T	S.L ARM SPRING	1		
	20	30310149T	REAR DAM BKT(Z)	1		
	22	30310151T	HUNG UP SP (FZ)	2		
	23	30310129T	HUNG UP SP (R)	2		
	29	30300510T	PU GEAR(B)	1		
	32	30310544T	F.M.BASE(Z)	1		
	33	30310547T	FD GR BLK(Z)	1		
	36	30310546T	PU GUIDE(Z)	1		
	38	30310533T	THRUST SPR(M)	1		
	39	30310548T	PU M NUT(Z)	1		
	40	30310512T	NUT PUSH SPR PL	1		
	41	30310558T	CLP ARM(Z)	1		
	42	30310514T	CLP ARM SPRING	1		
	43	30310552T	CLAMPER(Z)	1		
	48	30310557T	CLAMPER PLATE(Z)	1		
	49	30310524T	DAMPER (J)	3		
	50	30310525T	CLP ARM SPR (L)	1		
	51	30310545T	F SCREW GUIDE(Z)	1		
	52	30310556T	PU G.SP PLT(Z)	1		
	56	64180405T	DET SW	1	ESE11SF4	
	57	OPTIMA-720L1	C.D PICK (CAR)	1		
	61	30311035T	FPC HOLDER(Z)	1		
	62	19501403T	WIRE CLAMPER	3		
	63	30311037T	PICK UP FPC(Z)	1		
	64	30311036T	CONNECT.PCB(Z-J)	1		
	65	30311038T	WIRE (5P-Z)	1		
	66	30311039T	WIRE (LD-Z)	1		
	67	30311040T	WIRE (FD-Z)	1		
	68	30311041T	WIRE (RS-Z)	1		
	70	64180402T	DET SWITCH	2	ESE22MH1	

■ Parts list (CD mechanism)

Block No. M2MM

△	Item	Parts number	Parts name	Q'ty	Description	Area
	71	64180403T	DET SWITCH	2	ESE22MH3	
	72	68150232T	CONNECTOR	1	TKC-W26X-C1	
	79	30311105T	SOPPORT PLATE	1		
	80	30311138T	GR MT BLK(N)	1		
	81	30311109T	LDG GEAR (2)	1		
	82	30311110T	LDG GEAR (3)	1		
	84	30311112T	LDG GEAR (5)	1		
	86	30311136T	LDG ROLLER	2		
	88	30311118T	L.P SPRING (L)	1		
	89	30311119T	L.P SPRING (R)	1		
	90	30311123T	SW PCB	1		
	91	30311124T	SW ACTUATOR	1		
	92	30311129T	LDG BELT	1		
	93	30311140T	FRONT BRKT (J)	1		
	100	9C0620503T	C B TAP SCREW	2	M2X5	
	101	9C2020401T	C SCREW TS.G	5	M2X4	
	102	9C4320403T	C B TAP SCREW	4	M2X4	
	103	9C0117223T	SCREW	2	M1.7X2.2	
	104	9C0917703T	C TAP SCREW S3	1	M1.7X7	
	105	9C0320201T	C TAP SCREW S3	1	M2X2	
	106	9C4920013T	C TAP SCREW S3	2	M2X10	
	107	9C4920603T	C TAP SCREW B3	4	M2X6	
	108	9P0220031T	TAMS SCREW	2	M2X3	
	109	9C0314203T	C TAP SCREW	1	M1.4X2	
	110	9C0420253	C TAP SCREW	1	M2X2.5	
	113	9W0330276	NW BLUE	2	2.9X5X0.3	
	116	9W0725030T	LUMILAR W	1	2.3X9.8X0.25	
	117	9W0640030T	WASHER	1	1.4X3.2X0.4	
	130	303105310T	FEED MO ASSY	1		
	131	303105311T	SPINDLE MO ASSY	1		
	132	303105312T	FEED SCREW ASSY	1		
	133	303111301T	LDG MOTOR ASSY	1		
	134	303111302T	RDG RLR SFT ASY	1		
	135	303105502T	T.T.BASE ASSY	1		

■ Electrical parts list (Main board)

Block No. 01

△	Item	Parts number	Parts name	Remarks	Area
	C 1	NDC31HJ-5R0X	C CAPACITOR		
	C 2	NDC31HJ-100X	C CAPACITOR		
	C 3	QERF1HM-104Z	E CAPACITOR	0.1MF 20% 50V	
	C 4	NCS31HJ-221X	C CAPACITOR		
	C 5	QEKJ1HM-474Z	E CAPACITOR	0.47MF 20% 50V	
	C 6	NCB31EK-473X	C CAPACITOR		
	C 7	NCS31HJ-101X	C CAPACITOR		
	C 9	QERF1AM-227Z	E CAPACITOR	220MF 20% 10V	
	C 10	NCB31HK-102X	C CAPACITOR		
	C 31	QERF1HM-225Z	E CAPACITOR	2.2MF 20% 50V	
	C 32	NCB31HK-102X	C CAPACITOR		
	C 41	NCB31EK-333X	C CAPACITOR		
	C 42	NCB31HK-822X	C CAPACITOR		
	C 43	QERF1CM-107Z	E CAPACITOR	100MF 20% 16V	
	C 51	QERF1HM-474Z	E CAPACITOR	0.47MF 20% 50V	
	C 52	NCB31HK-472X	C CAPACITOR		
	C 53	NCB31EK-104X	C CAPACITOR		
	C 54	NCB31EK-103X	C CAPACITOR		
	C 55	NCB31HK-331X	C CAPACITOR		
	C 71	NDC31HJ-820X	C CAPACITOR		
	C 72	NDC31HJ-470X	C CAPACITOR		
	C 73	NCB31HK-103X	C CAPACITOR		
	C 74	QERF1AM-476Z	E CAPACITOR	47MF 20% 10V	
	C 75	NCS31HJ-561X	C CAPACITOR		
	C 76	QEKJ1HM-225Z	E CAPACITOR	2.2MF 20% 50V	
	C 77	NCB31EK-223X	C CAPACITOR		
	C 161	QEKJ1HM-105Z	E CAPACITOR	1.0MF 20% 50V	
	C 162	NCB31HK-822X	C CAPACITOR		
	C 163	NCB31AK-154X	C CAPACITOR		
	C 164	QEKJ1HM-224Z	E CAPACITOR	0.22MF 20% 50V	
	C 165	NCB31EK-333X	C CAPACITOR		
	C 166	NCB31HK-562X	C CAPACITOR		
	C 167	QEKJ1HM-475Z	E CAPACITOR	4.7MF 20% 50V	
	C 168	QEKJ1HM-475Z	E CAPACITOR	4.7MF 20% 50V	
	C 169	QERF1HM-105Z	E CAPACITOR	1.0MF 20% 50V	
	C 171	QERF1HM-105Z	E CAPACITOR	1.0MF 20% 50V	
	C 172	NCB31HK-183X	C CAPACITOR		
	C 173	NCB31EK-104X	C CAPACITOR		
	C 181	QEKJ1HM-105Z	E CAPACITOR	1.0MF 20% 50V	
	C 182	NCB31HK-822X	C CAPACITOR		
	C 183	NCB31AK-154X	C CAPACITOR		
	C 184	QEKJ1HM-224Z	E CAPACITOR	0.22MF 20% 50V	
	C 185	NCB31EK-333X	C CAPACITOR		
	C 186	NCB31HK-562X	C CAPACITOR		
	C 187	QERF1HM-475Z	E CAPACITOR	4.7MF 20% 50V	
	C 188	QERF1HM-475Z	E CAPACITOR	4.7MF 20% 50V	
	C 189	QEKJ1HM-105Z	E CAPACITOR	1.0MF 20% 50V	
	C 191	QERF1HM-105Z	E CAPACITOR	1.0MF 20% 50V	
	C 192	NCB31HK-183X	C CAPACITOR		
	C 241	NCB21HK-153X	C CAPACITOR		
	C 242	NCB31EK-473X	C CAPACITOR		
	C 243	QEKJ1CM-226Z	E CAPACITOR	22MF 20% 16V	
	C 244	QEKJ1HM-105Z	E CAPACITOR	1.0MF 20% 50V	
	C 309	QEKJ1CM-107Z	E CAPACITOR	100MF 20% 16V	
	C 310	QERF1CM-106Z	E CAPACITOR	10MF 20% 16V	
	C 311	NCB31EK-473X	C CAPACITOR		
	C 312	NCB31EK-473X	C CAPACITOR		
	C 313	NCB31HK-223X	C CAPACITOR		
	C 315	NCB31HK-223X	C CAPACITOR		
	C 316	QERF1CM-226Z	E CAPACITOR	22MF 20% 16V	
	C 317	QERF1CM-476Z	E CAPACITOR	47MF 20% 16V	
	C 321	QERF1HM-225Z	E CAPACITOR	2.2MF 20% 50V	
	C 322	NCS31HJ-391X	C CAPACITOR		

△	Item	Parts number	Parts name	Remarks	Area
	C 331	QERF1HM-225Z	E CAPACITOR	2.2MF 20% 50V	
	C 332	NCS31HJ-391X	C CAPACITOR		
	C 341	QERF1HM-225Z	E CAPACITOR	2.2MF 20% 50V	
	C 342	NCS31HJ-391X	C CAPACITOR		
	C 351	QERF1HM-225Z	E CAPACITOR	2.2MF 20% 50V	
	C 352	NCS31HJ-391X	C CAPACITOR		
	C 391	NCB31EK-104X	C CAPACITOR		
	C 392	NCB31EK-104X	C CAPACITOR		
	C 393	NCB31EK-104X	C CAPACITOR		
	C 394	NCB31EK-104X	C CAPACITOR		
	C 501	QERF1AM-227Z	E CAPACITOR	220MF 20% 10V	
	C 502	NCB31HK-103X	C CAPACITOR		
	C 503	QERF1CM-226Z	E CAPACITOR	22MF 20% 16V	
	C 521	NCB31HK-103X	C CAPACITOR		
	C 522	NCB31HK-103X	C CAPACITOR		
	C 523	NCB31EK-103X	C CAPACITOR		
	C 524	QEKJ1AM-107Z	E CAPACITOR	100MF 20% 10V	
	C 525	NCB31HK-103X	C CAPACITOR		
	C 526	QEKJ0JM-107Z	E CAPACITOR	100MF 20% 6.3V	
	C 527	QERF0JM-107Z	E CAPACITOR	100MF 20% 6.3V	
	C 528	NCS31HJ-101X	C CAPACITOR		
	C 529	NCB31HK-103X	C CAPACITOR		
	C 530	QERF0JM-107Z	E CAPACITOR	100MF 20% 6.3V	
	C 531	NCB31EK-104X	C CAPACITOR		
	C 532	NCB31EK-104X	C CAPACITOR		
	C 533	NCS31HJ-560X	C CAPACITOR		
	C 541	QEKJ0JM-107Z	E CAPACITOR	100MF 20% 6.3V	
	C 542	NCB31HK-103X	C CAPACITOR		
	C 543	QERF1HM-105Z	E CAPACITOR	1.0MF 20% 50V	
	C 544	QEKJ0JM-107Z	E CAPACITOR	100MF 20% 6.3V	
	C 545	NCB31HK-103X	C CAPACITOR		
	C 546	QEKJ0JM-107Z	E CAPACITOR	100MF 20% 6.3V	
	C 547	NDC31HJ-470X	C CAPACITOR		
	C 548	NCB31HK-153X	C CAPACITOR		
	C 549	QEKJ0JM-107Z	E CAPACITOR	100MF 20% 6.3V	
	C 550	NCB31HK-103X	C CAPACITOR		
	C 551	NCB31HK-272X	C CAPACITOR		
	C 552	NCB31HK-103X	C CAPACITOR		
	C 553	QEKJ0JM-107Z	E CAPACITOR	100MF 20% 6.3V	
	C 554	NCB31HK-103X	C CAPACITOR		
	C 555	NCB31EK-333X	C CAPACITOR		
	C 556	NCB31HK-332X	C CAPACITOR		
	C 557	NCS31HJ-561X	C CAPACITOR		
	C 558	QEKJ0JM-107Z	E CAPACITOR	100MF 20% 6.3V	
	C 559	NCB31EK-473X	C CAPACITOR		
	C 560	NCB31EK-473X	C CAPACITOR		
	C 561	NCB31EK-473X	C CAPACITOR		
	C 562	NCB31EK-473X	C CAPACITOR		
	C 563	QEKJ0JM-107Z	E CAPACITOR	100MF 20% 6.3V	
	C 564	NCB31HK-103X	C CAPACITOR		
	C 565	NCB31HK-103X	C CAPACITOR		
	C 566	NDC31HJ-100X	C CAPACITOR		
	C 567	NDC31HJ-100X	C CAPACITOR		
	C 568	NCB31HK-103X	C CAPACITOR		
	C 569	QEKJ0JM-107Z	E CAPACITOR	100MF 20% 6.3V	
	C 570	NCS31HJ-101X	C CAPACITOR		
	C 571	QEKJ0JM-107Z	E CAPACITOR	100MF 20% 6.3V	
	C 572	QEKJ0JM-107Z	E CAPACITOR	100MF 20% 6.3V	
	C 573	NCB31HK-103X	C CAPACITOR		
	C 581	NCS31HJ-821X	C CAPACITOR		
	C 582	QEKJ1EM-475Z	E CAPACITOR	4.7MF 20% 25V	
	C 583	QEKJ0JM-476Z	E CAPACITOR	47MF 20% 6.3V	
	C 584	NCS31HJ-121X	C CAPACITOR		

■ Electrical parts list (Main board)

Block No. 01

△	Item	Parts number	Parts name	Remarks	Area
	C 591	NCS31HJ-821X	C CAPACITOR		
	C 592	QEKJ1EM-475Z	E CAPACITOR	4.7MF 20% 25V	
	C 593	QEKJ0JM-476Z	E CAPACITOR	47MF 20% 6.3V	
	C 594	NCS31HJ-121X	C CAPACITOR		
	C 595	QEKJ1AM-107Z	E CAPACITOR	100MF 20% 10V	
	C 701	NDC31HJ-220X	C CAPACITOR		
	C 702	NDC31HJ-220X	C CAPACITOR		
	C 703	NCB31EK-104X	C CAPACITOR		
	C 704	NCB31EK-104X	C CAPACITOR		
	C 706	QEKJ0JM-107Z	E CAPACITOR	100MF 20% 6.3V	
	C 707	NCB31HK-103X	C CAPACITOR		
	C 708	QERF0JM-107Z	E CAPACITOR	100MF 20% 6.3V	
	C 713	NCB31HK-471X	C CAPACITOR		
	C 718	NCB31HK-103X	C CAPACITOR		
	C 719	NCB31EK-104X	C CAPACITOR		
	C 720	NCB31EK-104X	C CAPACITOR		
	C 721	NCB31EK-104X	C CAPACITOR		
	C 770	NCB31HK-103X	C CAPACITOR		
	C 776	NCB31HK-103X	C CAPACITOR		
	C 781	QERF1AM-227Z	E CAPACITOR	220MF 20% 10V	
	C 782	QERF1CM-226Z	E CAPACITOR	22MF 20% 16V	
	C 783	NCB31EK-823X	C CAPACITOR		
	C 891	NCB31EK-473X	C CAPACITOR		
	C 901	QERF1AM-227Z	E CAPACITOR	220MF 20% 10V	
	C 902	NCB31EK-104X	C CAPACITOR		
	C 903	QEKJ1CM-226Z	E CAPACITOR	22MF 20% 16V	
	C 904	QERF1AM-227Z	E CAPACITOR	220MF 20% 10V	
	C 905	QERF1CM-106Z	E CAPACITOR	10MF 20% 16V	
	C 907	QERF1HM-225Z	E CAPACITOR	2.2MF 20% 50V	
	C 908	QEZ0338-228	E CAPACITOR	2200MF	
	C 909	NCB31EK-104X	C CAPACITOR		
	C 911	QERF1AM-476Z	E CAPACITOR	47MF 20% 10V	
	C 912	QEKJ1AM-107Z	E CAPACITOR	100MF 20% 10V	
	C 913	QEKJ1CM-107Z	E CAPACITOR	100MF 20% 16V	
	C 914	QERF1EM-475Z	E CAPACITOR	4.7MF 20% 25V	
	C 915	QERF1CM-106Z	E CAPACITOR	10MF 20% 16V	
	C 933	NCB31EK-103X	C CAPACITOR		
	CN501	QGB2027M1-26S	CONNECTOR		
	CP601	VMC0334-001	CONNECTOR	F.PANEL CONNECTOR	
	CP961	QNZ0112-001	CAR CONNECTOR		
	D 1	1SS133-T1	SI DIODE		
	D 2	1SS133-T1	SI DIODE		
	D 3	1SS355-X	DIODE		
	D 4	1SS355-X	DIODE		
	D 161	1SS355-X	DIODE		
	D 162	1SS355-X	DIODE		
	D 182	1SS355-X	DIODE		
	D 241	1SS133-T1	SI DIODE		
	D 242	1SS133-T1	SI DIODE		
	D 321	1SS355-X	DIODE		
	D 331	1SS355-X	DIODE		
	D 341	1SS355-X	DIODE		
	D 351	1SS355-X	DIODE		
	D 501	DSK10C-T1	DIODE		
	D 701	UDZS5.6B-X	ZENER DIODE		
	D 702	UDZS5.6B-X	ZENER DIODE		
	D 703	UDZS5.6B-X	ZENER DIODE		
	D 704	UDZS5.6B-X	ZENER DIODE		
	D 705	UDZS5.6B-X	ZENER DIODE		
	D 706	UDZS5.6B-X	ZENER DIODE		
	D 707	UDZS5.6B-X	ZENER DIODE		
	D 781	1SS355-X	DIODE		
	D 782	1SS133-T1	SI DIODE		

△	Item	Parts number	Parts name	Remarks	Area
	D 784	UDZ11B-X	ZENER DIODE		
	D 891	1SS355-X	DIODE		
	D 892	1SS355-X	DIODE		
	D 901	1SS355-X	DIODE		
	D 910	CRS03-W	SB DIODE		
	D 911	1N5401-TU-15	DIODE		
	D 912	CRS03-W	SB DIODE		
	IC 71	SAA6579T-X	IC		
	IC161	TEA6320T-X	IC		
	IC301	LA4743K	IC		
	IC501	LA6567H-X	IC		
	IC521	TA2109F-X	IC		
	IC541	TC9462F	IC		
	IC581	NJM4565M-WE	IC		
	IC701	UPD178078GF-540	IC		
	IC961	HA13164	IC		
	J 1	QNB0100-001	CAR ANT JACK		
	J 301	QNN0175-001	PIN JACK		
	L 1	QQL244J-4R7Z	INDUCTOR		
	L 541	QQL244J-4R7Z	INDUCTOR		
	L 542	QQL244J-4R7Z	INDUCTOR		
	L 701	QQL244J-4R7Z	INDUCTOR		
	L 961	QQR0703-001	CHOKE COIL		
	Q 1	UN2211-X	TRANSISTOR		
	Q 2	2SD601A/R/-X	TRANSISTOR		
	Q 3	UN2111-X	TRANSISTOR		
	Q 4	2SB709A/R/-X	TRANSISTOR		
	Q 5	2SB815/7/-X	TRANSISTOR		
	Q 7	UN2211-X	TRANSISTOR		
	Q 31	2SD601A/R/-X	TRANSISTOR		
	Q 32	2SD601A/R/-X	TRANSISTOR		
	Q 41	2SD601A/R/-X	TRANSISTOR		
	Q 42	2SC3661-X	TRANSISTOR		
	Q 43	UN2211-X	TRANSISTOR		
	Q 51	2SD601A/R/-X	TRANSISTOR		
	Q 52	2SD601A/R/-X	TRANSISTOR		
	Q 53	UN2211-X	TRANSISTOR		
	Q 161	2SD601A/R/-X	TRANSISTOR		
	Q 162	UN2111-X	TRANSISTOR		
	Q 174	UN2111-X	TRANSISTOR		
	Q 181	2SD601A/R/-X	TRANSISTOR		
	Q 241	2SD601A/R/-X	TRANSISTOR		
	Q 321	2SD1048/6-7/-X	TRANSISTOR		
	Q 331	2SD1048/6-7/-X	TRANSISTOR		
	Q 341	2SD1048/6-7/-X	TRANSISTOR		
	Q 351	2SD1048/6-7/-X	TRANSISTOR		
	Q 501	2SB1322/RS/-T	TRANSISTOR		
	Q 521	2SB1322/RS/-T	TRANSISTOR		
	Q 781	UN2111-X	TRANSISTOR		
	Q 782	UN2211-X	TRANSISTOR		
	Q 783	UN2111-X	TRANSISTOR		
	Q 891	UN2211-X	TRANSISTOR		
	Q 976	UN2211-X	TRANSISTOR		
	Q 977	2SB709A/R/-X	TRANSISTOR		
	R 1	NRSA63J-0R0X	MG RESISTOR		
	R 2	NRSA63J-102X	MG RESISTOR		
	R 3	NRSA63J-102X	MG RESISTOR		
	R 4	NRSA63J-223X	MG RESISTOR		
	R 5	NRSA63J-472X	MG RESISTOR		
	R 6	NRSA63J-473X	MG RESISTOR		
	R 7	NRSA63J-472X	MG RESISTOR		
	R 8	NRSA63J-473X	MG RESISTOR		
	R 9	NRSA63J-332X	MG RESISTOR		

■ Electrical parts list (Main board)

Block No. 01

△	Item	Parts number	Parts name	Remarks	Area
	R 10	NRS181J-8R2X	MG RESISTOR		
	R 31	NRSA63J-102X	MG RESISTOR		
	R 32	NRSA63J-103X	MG RESISTOR		
	R 33	NRSA63J-152X	MG RESISTOR		
	R 41	NRSA63J-332X	MG RESISTOR		
	R 42	NRSA63J-102X	MG RESISTOR		
	R 43	NRSA63J-102X	MG RESISTOR		
	R 44	NRS181J-330X	MG RESISTOR		
	R 51	NRSA63J-471X	MG RESISTOR		
	R 52	NRSA63J-153X	MG RESISTOR		
	R 53	NRSA63J-103X	MG RESISTOR		
	R 54	NRSA63J-103X	MG RESISTOR		
	R 55	NRSA63J-222X	MG RESISTOR		
	R 56	NRSA63J-473X	MG RESISTOR		
	R 57	NRSA63J-473X	MG RESISTOR		
	R 58	NRSA63J-473X	MG RESISTOR		
	R 71	NRSA63J-222X	MG RESISTOR		
	R 72	NRSA63J-222X	MG RESISTOR		
	R 73	NRSA63J-222X	MG RESISTOR		
	R 161	NRSA63J-224X	MG RESISTOR		
	R 162	NRSA63J-223X	MG RESISTOR		
	R 163	NRSA63J-222X	MG RESISTOR		
	R 164	NRSA63J-332X	MG RESISTOR		
	R 165	NRSA63J-473X	MG RESISTOR		
	R 166	NRSA63J-473X	MG RESISTOR		
	R 167	NRSA63J-103X	MG RESISTOR		
	R 168	NRSA63J-223X	MG RESISTOR		
	R 169	NRSA63J-472X	MG RESISTOR		
	R 170	NRSA63J-472X	MG RESISTOR		
	R 181	NRSA63J-224X	MG RESISTOR		
	R 182	NRSA63J-223X	MG RESISTOR		
	R 183	NRSA63J-222X	MG RESISTOR		
	R 184	NRSA63J-332X	MG RESISTOR		
	R 185	NRSA63J-473X	MG RESISTOR		
	R 186	NRSA63J-473X	MG RESISTOR		
	R 187	NRSA63J-103X	MG RESISTOR		
	R 188	NRSA63J-223X	MG RESISTOR		
	R 241	NRSA63J-224X	MG RESISTOR		
	R 242	NRSA63J-102X	MG RESISTOR		
	R 243	NRSA63J-101X	MG RESISTOR		
	R 244	NRSA63J-123X	MG RESISTOR		
	R 245	NRSA63J-184X	MG RESISTOR		
	R 246	NRSA63J-223X	MG RESISTOR		
	R 247	NRSA63J-473X	MG RESISTOR		
	R 310	NRSA63J-472X	MG RESISTOR		
	R 321	NRSA63J-273X	MG RESISTOR		
	R 322	NRSA63J-821X	MG RESISTOR		
	R 323	NRSA63J-222X	MG RESISTOR		
	R 324	NRSA63J-101X	MG RESISTOR		
	R 331	NRSA63J-273X	MG RESISTOR		
	R 332	NRSA63J-821X	MG RESISTOR		
	R 333	NRSA63J-222X	MG RESISTOR		
	R 334	NRSA63J-101X	MG RESISTOR		
	R 341	NRSA63J-273X	MG RESISTOR		
	R 342	NRSA63J-102X	MG RESISTOR		
	R 343	NRSA63J-222X	MG RESISTOR		
	R 344	NRSA63J-101X	MG RESISTOR		
	R 351	NRSA63J-273X	MG RESISTOR		
	R 352	NRSA63J-102X	MG RESISTOR		
	R 353	NRSA63J-222X	MG RESISTOR		
	R 354	NRSA63J-101X	MG RESISTOR		
	R 501	NRSA63J-822X	MG RESISTOR		
	R 502	NRSA63J-562X	MG RESISTOR		

△	Item	Parts number	Parts name	Remarks	Area
	R 503	NRSA63J-242X	MG RESISTOR		
	R 504	NRSA63J-203X	MG RESISTOR		
	R 506	NRS181J-0R0X	MG RESISTOR		
	R 507	NRS181J-822X	MG RESISTOR		
	R 508	NRS181J-203X	MG RESISTOR		
	R 521	NRSA63J-473X	MG RESISTOR		
	R 522	NRSA63J-473X	MG RESISTOR		
	R 523	NRSA63J-473X	MG RESISTOR		
	R 524	NRSA63J-473X	MG RESISTOR		
	R 525	NRSA63J-104X	MG RESISTOR		
	R 526	NRSA63J-104X	MG RESISTOR		
	R 527	NRSA02J-220X	MG RESISTOR		
	R 528	NRSA02J-220X	MG RESISTOR		
	R 529	NRSA63J-273X	MG RESISTOR		
	R 530	NRSA63J-473X	MG RESISTOR		
	R 531	NRSA63J-222X	MG RESISTOR		
	R 532	NRSA63J-153X	MG RESISTOR		
	R 533	NRSA63J-682X	MG RESISTOR		
	R 534	NRSA63J-473X	MG RESISTOR		
	R 541	NRSA63J-472X	MG RESISTOR		
	R 542	NRSA63J-472X	MG RESISTOR		
	R 543	NRSA63J-472X	MG RESISTOR		
	R 544	NRSA63J-472X	MG RESISTOR		
	R 545	NRSA63J-103X	MG RESISTOR		
	R 546	NRSA63J-103X	MG RESISTOR		
	R 547	NRSA63J-473X	MG RESISTOR		
	R 548	NRSA63J-683X	MG RESISTOR		
	R 549	NRSA63J-474X	MG RESISTOR		
	R 550	NRSA63J-333X	MG RESISTOR		
	R 551	NRSA63J-103X	MG RESISTOR		
	R 552	NRSA63J-152X	MG RESISTOR		
	R 553	NRSA63J-153X	MG RESISTOR		
	R 554	NRSA63J-332X	MG RESISTOR		
	R 555	NRSA63J-332X	MG RESISTOR		
	R 556	NRSA63J-682X	MG RESISTOR		
	R 557	NRSA63J-152X	MG RESISTOR		
	R 558	NRS181J-101X	MG RESISTOR		
	R 581	NRSA63J-243X	MG RESISTOR		
	R 582	NRSA63J-223X	MG RESISTOR		
	R 583	NRSA63J-223X	MG RESISTOR		
	R 584	NRSA63J-333X	MG RESISTOR		
	R 585	NRSA63J-123X	MG RESISTOR		
	R 586	NRSA63J-152X	MG RESISTOR		
	R 591	NRSA63J-243X	MG RESISTOR		
	R 592	NRSA63J-223X	MG RESISTOR		
	R 593	NRSA63J-223X	MG RESISTOR		
	R 594	NRSA63J-333X	MG RESISTOR		
	R 595	NRSA63J-123X	MG RESISTOR		
	R 596	NRSA63J-152X	MG RESISTOR		
	R 685	NRSA63J-103X	MG RESISTOR		
	R 686	NRSA63J-103X	MG RESISTOR		
	R 701	NRSA63J-102X	MG RESISTOR		
	R 702	NRSA63J-122X	MG RESISTOR		
	R 703	NRSA63J-222X	MG RESISTOR		
	R 704	NRSA63J-222X	MG RESISTOR		
	R 705	NRSA63J-222X	MG RESISTOR		
	R 706	NRSA63J-103X	MG RESISTOR		
	R 707	NRSA63J-473X	MG RESISTOR		
	R 708	NRSA63J-473X	MG RESISTOR		
	R 709	NRSA63J-472X	MG RESISTOR		
	R 710	NRSA63J-472X	MG RESISTOR		
	R 711	NRSA63J-472X	MG RESISTOR		
	R 712	NRSA63J-472X	MG RESISTOR		

■ Electrical parts list (Main board)

Block No. 01

△	Item	Parts number	Parts name	Remarks	Area
	R 713	NRSA63J-103X	MG RESISTOR		
	R 714	NRSA63J-103X	MG RESISTOR		
	R 715	NRSA63J-103X	MG RESISTOR		
	R 716	NRSA63J-103X	MG RESISTOR		
	R 717	NRSA63J-103X	MG RESISTOR		
	R 718	NRSA63J-103X	MG RESISTOR		
	R 719	NRSA63J-472X	MG RESISTOR		
	R 720	NRSA63J-472X	MG RESISTOR		
	R 721	NRSA63J-472X	MG RESISTOR		
	R 722	NRSA63J-0R0X	MG RESISTOR		
	R 723	NRSA63J-104X	MG RESISTOR		
	R 724	NRSA63J-472X	MG RESISTOR		
	R 725	NRSA63J-104X	MG RESISTOR		
	R 726	NRSA63J-473X	MG RESISTOR		
	R 727	NRSA63J-473X	MG RESISTOR		
	R 728	NRSA63J-473X	MG RESISTOR		
	R 729	NRSA63J-473X	MG RESISTOR		
	R 730	NRSA63J-104X	MG RESISTOR		
	R 731	NRSA63J-104X	MG RESISTOR		
	R 732	NRSA63J-473X	MG RESISTOR		
	R 733	NRSA63J-473X	MG RESISTOR		
	R 734	NRSA63J-103X	MG RESISTOR		
	R 736	NRSA63J-103X	MG RESISTOR		
	R 737	NRSA63J-473X	MG RESISTOR		
	R 738	NRSA63J-103X	MG RESISTOR		
	R 739	NRSA63J-473X	MG RESISTOR		
	R 740	NRSA63J-103X	MG RESISTOR		
	R 742	NRSA63J-473X	MG RESISTOR		
	R 744	NRSA63J-222X	MG RESISTOR		
	R 745	NRSA63J-222X	MG RESISTOR		
	R 747	NRSA63J-473X	MG RESISTOR		
	R 781	NRS181J-273X	MG RESISTOR		
	R 782	NRS181J-102X	MG RESISTOR		
	R 801	NRSA63J-104X	MG RESISTOR		
	R 802	NRSA63J-104X	MG RESISTOR		
	R 803	NRSA63J-104X	MG RESISTOR		
	R 806	NRSA63J-223X	MG RESISTOR		
	R 807	NRSA63J-104X	MG RESISTOR		
	R 809	NRSA63J-104X	MG RESISTOR		
	R 891	NRSA63J-473X	MG RESISTOR		
	R 892	NRSA63J-102X	MG RESISTOR		
	R 905	NRSA63J-472X	MG RESISTOR		
	R 906	NRSA63J-103X	MG RESISTOR		
	R 907	QRZ0125-470X	C RESISTOR	47 1/1W	
	R 911	NRSA63J-100X	MG RESISTOR		
	R 977	NRSA63J-333X	MG RESISTOR		
	R 978	NRSA63J-123X	MG RESISTOR		
	TU 1	QAU0222-001	TUNER		
	X 71	QAX0263-001Z	CRYSTAL		
	X 541	QAX0413-001Z	CRYSTAL		
	X 701	QAX0406-002Z	CRYSTAL		

■ Electrical parts list (Front board)

Block No. 02

△	Item	Parts number	Parts name	Remarks	Area
	C 601	NCB31HK-223X	C CAPACITOR		
	C 602	NCS31HJ-681X	C CAPACITOR		
	C 603	NBE20JM-106X	E CAPACITOR		
	C 611	NCB31HK-123X	C CAPACITOR		
	C 612	NBE20JM-475X	E CAPACITOR		
	C 681	NCB31HK-223X	C CAPACITOR		
	C 682	NCB31HK-223X	C CAPACITOR		
	CJ601	VMC0335-001	CONNECTOR		
	D 601	SML-310VT/JK/-X	LED		
	D 602	SML-310VT/JK/-X	LED		
	D 603	SML-310VT/JK/-X	LED		
	D 604	SML-310VT/JK/-X	LED		
	D 605	SML-310VT/JK/-X	LED		
	D 606	SML-310VT/JK/-X	LED		
	D 607	SML-310VT/JK/-X	LED		
	D 608	SML-310VT/JK/-X	LED		
	D 609	SML-310VT/JK/-X	LED		
	D 610	SML-310VT/JK/-X	LED		
	D 611	SML-310VT/JK/-X	LED		
	D 613	SML-310VT/JK/-X	LED		
	D 614	SML-310VT/JK/-X	LED		
	D 615	SML-310VT/JK/-X	LED		
	D 616	SML-310VT/JK/-X	LED		
	D 617	SML-310VT/JK/-X	LED		
	D 618	LNJ308G81/1-3/X	LED		
	D 619	SML-310VT/JK/-X	LED		
	D 620	SML-310VT/JK/-X	LED		
	D 621	SML-310VT/JK/-X	LED		
	D 622	SML-310VT/JK/-X	LED		
	D 623	SML-310VT/JK/-X	LED		
	D 624	SML-310VT/JK/-X	LED		
	D 625	SML-310LT/MN/-X	LED		
	D 641	UDZS5.1B-X	ZENER DIODE		
	D 642	1SS355-X	DIODE		
	D 643	1SS355-X	DIODE		
	IC601	LC75823W	IC		
	IC602	RPM6938-SV4	IC		
	JS690	QSW0863-001	JOG SHUTTLE SW		
	PL601	QLL0033-003	LAMP		
	PL602	QLL0033-003	LAMP		
	R 601	NRSA63J-182X	MG RESISTOR		
	R 602	NRSA63J-122X	MG RESISTOR		
	R 603	NRSA63J-182X	MG RESISTOR		
	R 604	NRSA63J-272X	MG RESISTOR		
	R 605	NRSA63J-392X	MG RESISTOR		
	R 606	NRSA63J-821X	MG RESISTOR		
	R 607	NRSA63J-821X	MG RESISTOR		
	R 608	NRSA63J-122X	MG RESISTOR		
	R 609	NRSA63J-182X	MG RESISTOR		
	R 610	NRSA63J-272X	MG RESISTOR		
	R 611	NRSA63J-392X	MG RESISTOR		
	R 612	NRSA63J-821X	MG RESISTOR		
	R 613	NRSA63J-821X	MG RESISTOR		
	R 614	NRSA63J-122X	MG RESISTOR		
	R 615	NRSA63J-182X	MG RESISTOR		
	R 616	NRSA63J-272X	MG RESISTOR		
	R 631	NRSA63J-821X	MG RESISTOR		
	R 632	NRSA63J-182X	MG RESISTOR		
	R 633	NRSA63J-182X	MG RESISTOR		
	R 634	NRSA63J-182X	MG RESISTOR		
	R 635	NRSA63J-182X	MG RESISTOR		
	R 636	NRSA63J-182X	MG RESISTOR		
	R 637	NRSA63J-182X	MG RESISTOR		

△	Item	Parts number	Parts name	Remarks	Area
	R 638	NRSA63J-511X	MG RESISTOR		
	R 639	NRSA63J-511X	MG RESISTOR		
	R 640	NRSA63J-511X	MG RESISTOR		
	R 641	NRSA63J-511X	MG RESISTOR		
	R 642	NRSA63J-821X	MG RESISTOR		
	R 643	NRSA63J-821X	MG RESISTOR		
	R 644	NRSA63J-182X	MG RESISTOR		
	R 645	NRSA63J-182X	MG RESISTOR		
	R 646	NRSA63J-821X	MG RESISTOR		
	R 647	NRSA63J-821X	MG RESISTOR		
	R 648	NRSA63J-911X	MG RESISTOR		
	R 649	NRSA63J-911X	MG RESISTOR		
	R 651	NRSA63J-222X	MG RESISTOR		
	R 652	NRSA63J-222X	MG RESISTOR		
	R 653	NRSA63J-103X	MG RESISTOR		
	R 654	NRSA63J-103X	MG RESISTOR		
	R 655	NRSA63J-103X	MG RESISTOR		
	R 656	NRSA63J-103X	MG RESISTOR		
	R 657	NRSA63J-513X	MG RESISTOR		
	R 658	NRSA63J-184X	MG RESISTOR		
	R 661	NRS181J-103X	MG RESISTOR		
	R 662	NRSA63J-471X	MG RESISTOR		
	R 681	NRSA63J-101X	MG RESISTOR		
	S 601	NSW0124-001X	TACT SWITCH	POWER	
	S 602	NSW0124-001X	TACT SWITCH	1	
	S 603	NSW0124-001X	TACT SWITCH	2	
	S 604	NSW0124-001X	TACT SWITCH	3	
	S 605	NSW0124-001X	TACT SWITCH	4	
	S 606	NSW0124-001X	TACT SWITCH	5	
	S 607	NSW0124-001X	TACT SWITCH	SELECT	
	S 608	NSW0124-001X	TACT SWITCH	LOUD	
	S 609	NSW0124-001X	TACT SWITCH	DISP	
	S 610	NSW0124-001X	TACT SWITCH	SCAN/RPT	
	S 611	NSW0124-001X	TACT SWITCH	MO/RND	
	S 612	NSW0124-001X	TACT SWITCH	EJECT	
	S 613	NSW0124-001X	TACT SWITCH	<<,REW	
	S 614	NSW0124-001X	TACT SWITCH	6	
	S 615	NSW0124-001X	TACT SWITCH	SCM	
	S 616	NSW0124-001X	TACT SWITCH	AM	
	S 617	NSW0124-001X	TACT SWITCH	CD	
	S 618	NSW0124-001X	TACT SWITCH	FM	
	S 619	NSW0124-001X	TACT SWITCH	>>,FF	

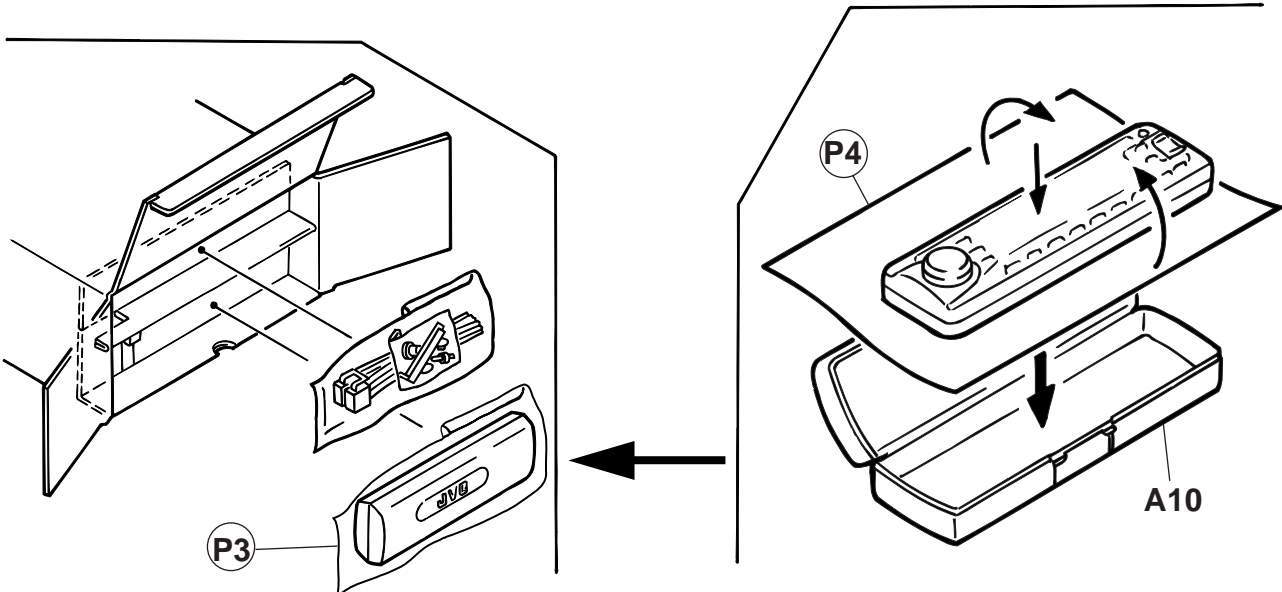
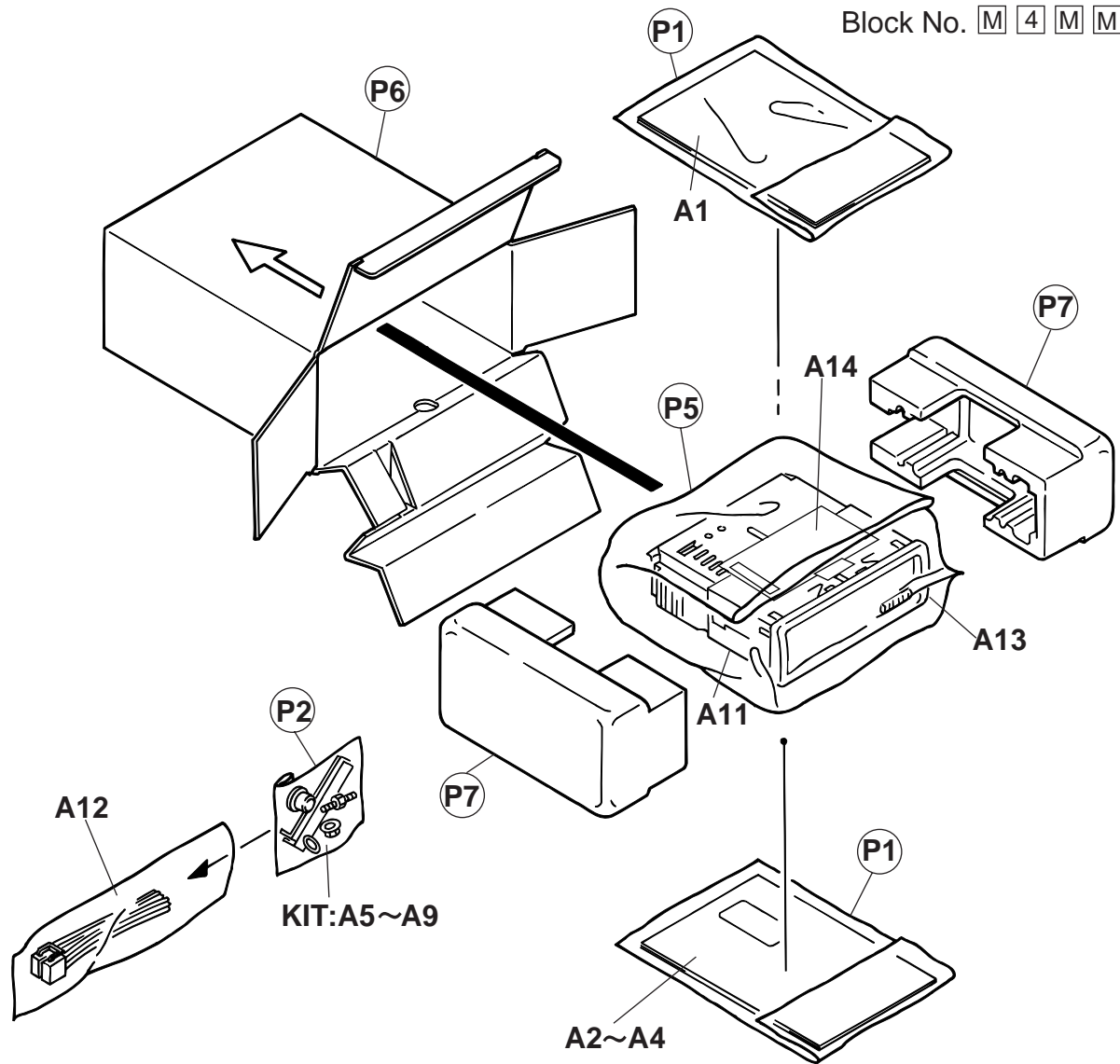
Packing materials and accessories parts list

Block No.

M	3	M	M
---	---	---	---

Block No.

M	4	M	M
---	---	---	---



■ Parts list (Packing)

Block No. M3MM

△	Item	Parts number	Parts name	Q'ty	Description	Area
	P 1	FSPG4002-001	POLY BAG	2	INSTRUCTIONS	
	P 2	QPA00801205	POLY BAG	1	KIT	
	P 3	QPA01003003	POLY BAG	1	HARD CASE	
	P 4	FSYH4036-068	SHEET	1		
	P 5	QPC03004315P	POLY BAG	1	SET	
	P 6	GE30123-010A	CARTON	1		
	P 7	GE10008-001A	CUSHION	2		

■ Parts list (Accessories)

Block No. M4MM

△	Item	Parts number	Parts name	Q'ty	Description	Area
	A 1	GET0013-001A	INSTRUCTIONS	1	ENG,GER,FRE,DUT	
	A 2	GET0013-002A	INSTRUCTIONS	1	SPA,ITA,SWE,FIN	
	A 3	GET0013-003A	INSTALL MANUAL	1	ENG,GER,FRE	
		GET0013-004A	INSTALL MANUAL	1	DUT,SPA,ITA	
		GET0013-005A	INSTALL MANUAL	1	SWE,FIN	
	A 4	BT-54013-1	WARRANTY CARD	1		
	A 5	VKZ4027-202	PLUG NUT	1		
	A 6	VKH4871-001SS	MOUNT BOLT	1		
	A 7	VKZ4328-001	LOCK NUT	1	FOR M5	
	A 8	WNS5000Z	WASHER	1		
	A 9	FSKL4010-002	HOOK	2		
	A 10	FSJB3001-30C	HARD CASE	1		
	A 11	FSKM2004-202	MOUNTING SLEEVE	1		
	A 12	QAM0175-001	POWER CORD	1		
	A 13	FSJD2034-001	TRIM PLATE	1		
	A 14	LV40978-001A	CAUTION SHEET	1		
	KIT	KDGS717K-SCREW1	SCREW PARTS KIT	1	A5-A9	